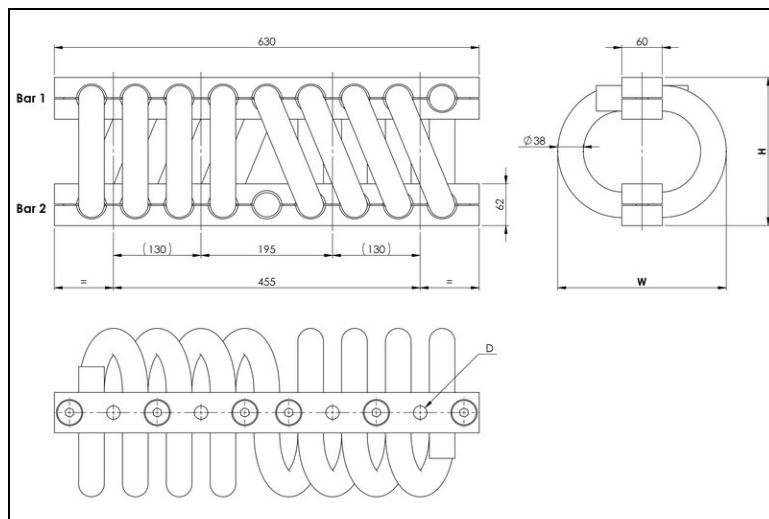


# WIRE ROPE ISOLATORS: 'HELICAL'

DEFINITION  
**series CB2100**



- All metal multidirectional anti-vibration/shock mounts
- Exceptional reliability and long life
- High damping
- No aging
- Corrosion resistant
- Unequalled temperature range : -180°C to +300°C / -290F to 570 F
- Great adaptability/versatility

Specials on request

(material size and number of loops, etc.)

Dimensions are in millimeters. For reference only

SERIES
Materials and finishes (meets RoHS requirements)
<b>CB2100</b>
<b>Cable:</b> stainless steel galvanized available: CBG
<b>Retainer bars:</b> aluminium alloy/ SurTec
<b>Screws:</b> alloy steel/ zinc plate
<b>Inserts:</b> stainless steel
All stainless steel: CBSS
Other materials on request

MODEL	height H (mm)	width W (mm)	weight (kg)
-10	195	250	36,0
-12	230	280	40,9
-15	260	320	46,2

INTERFACES			
fixtures holes D	Bar 1		
	4 through holes ø21,5mm	4 through holes ø21,5mm counter-sunk 90°	4 inserts M20
Bar 2			
4 through holes ø21,5mm	no suffix	not standard	not standard
4 through holes ø21,5mm counter-sunk 90°	CM	CM2	not standard
4 inserts M20	IM	CIM	IM2

**C B 2 1 0 0 - 1 0 C I M**

SERIE: CB2100

'Helical' mount from the CB2100 series

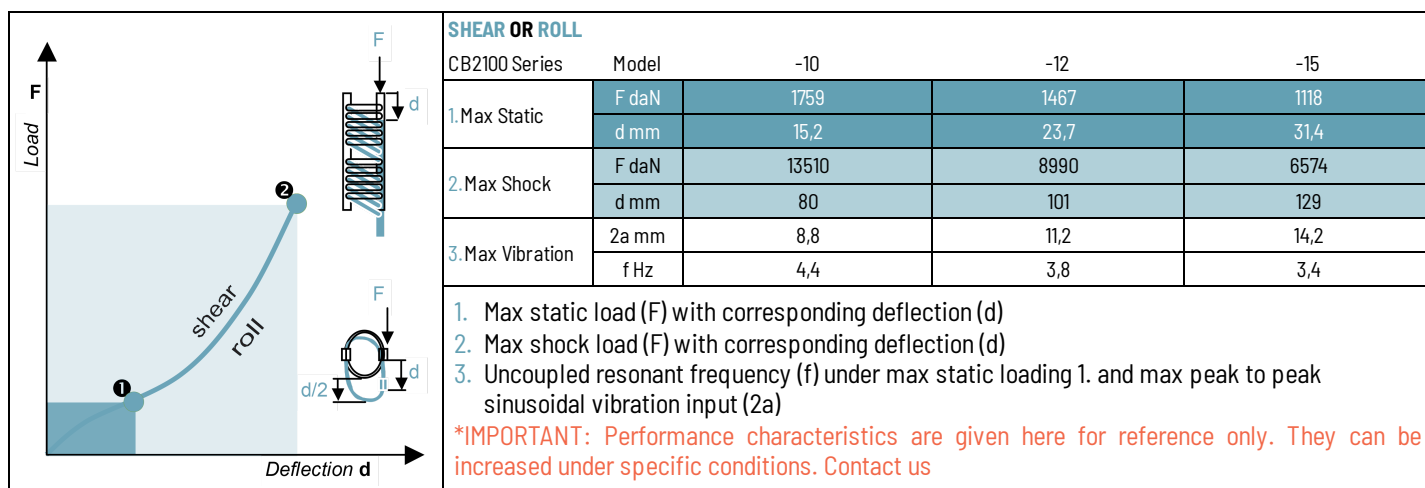
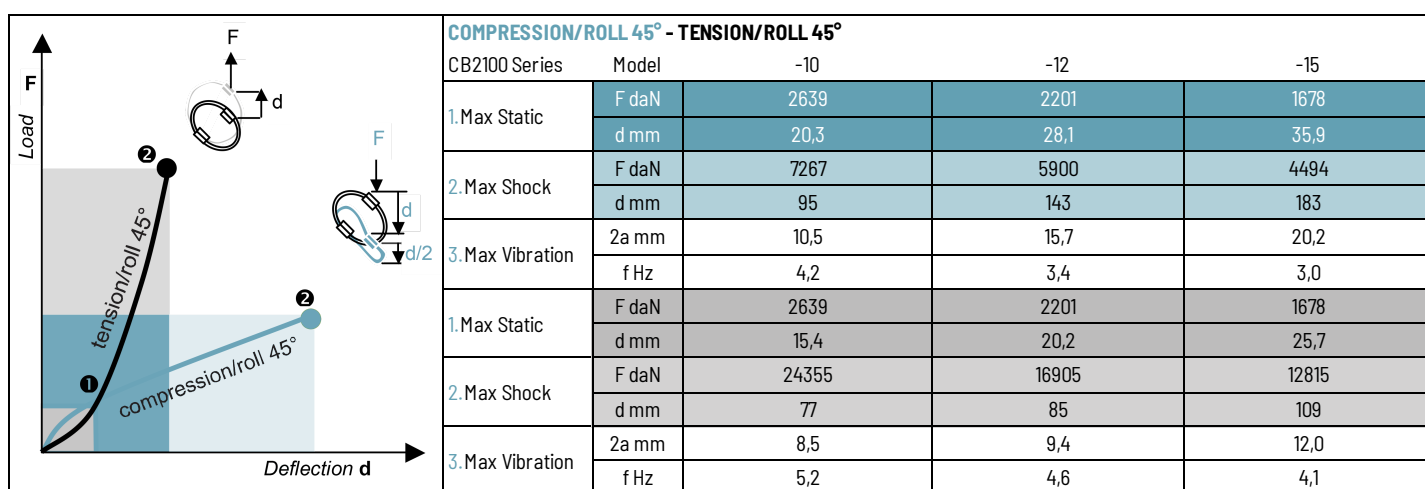
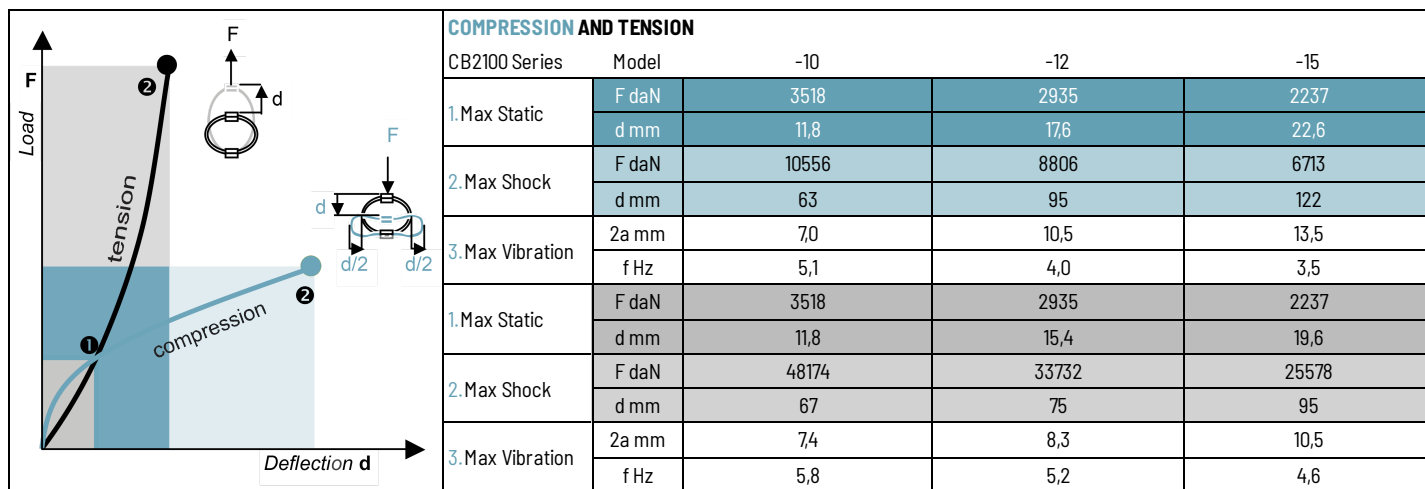
MODEL: -10

height: 195mm  
width: 250mm  
weight: 36,0kg  
loops: serie  
standard is 08 loops

INTERFACE: CIM

4 through holes ø21,5mm  
counter-sunk 90° in bar 1,  
4 inserts M20 in bar 2





## TYPICAL SHOCK/VIBRATION SPECIFICATIONS:

- Air** AIR 7306, MIL-E-5400, MIL-C-172, MIL-STD-810
- Ground Forces** GAM EG13A, SEFT 001, MIL-STD-810, VG 9533
- Marine** GAM EG13C, IT25-21/96-31/15-86, MIL-S-167, MIL-S-901, STANAG 042, BV 043.73, BV 044
- Others** GAM EMB1, GAM EMBT4, DEF STAN 07-55, IEC 571, FINABEL 2C